

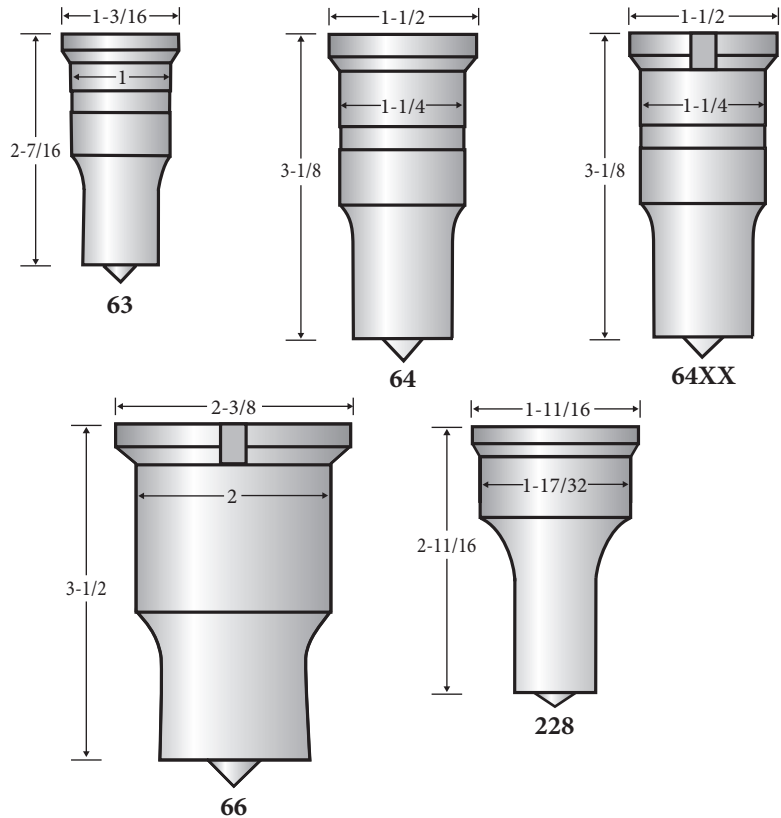


Controlled Automation™ Machines

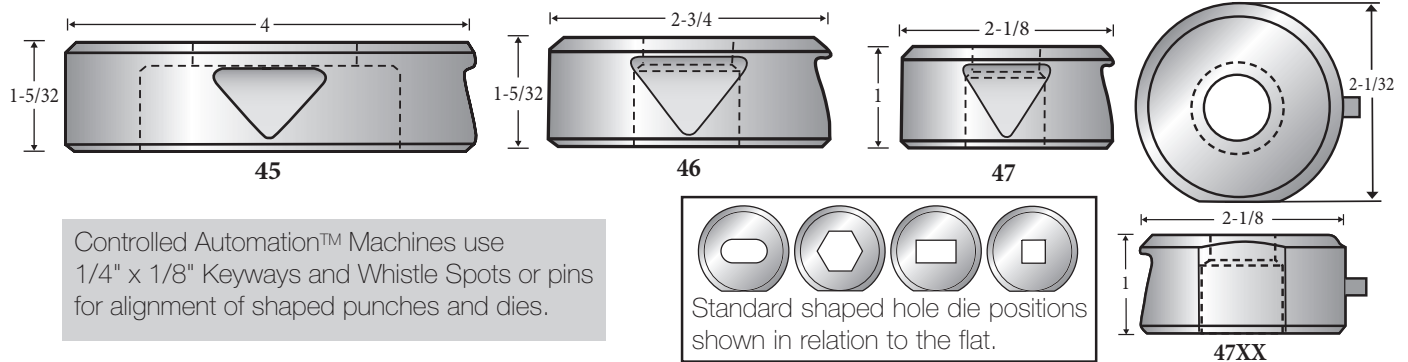
Model	Punch	Die
2AT-175	64	45
ABL-100 65 Ton	63	47
ABL-100 115 Ton	64	47
ABL-100 143 Ton	228	46
ABL-100-2 65 Ton	63	46
ABL-100-2 115 Ton	64	46
ABL-100-2 143 Ton	228	46
ABL-741	63	47
ABL-74LT	64	47
ABL-86T	63	47
BFC-522	64	47
BFC-530	64	47
PPF-115	64	47

Note: Controlled Automation™ Machines use Punch Style 64, 64XX, or 66 or Die Style 45, 46 or 47XX for Oversize Hole Punching.

PUNCHES



DIES



SHEAR BLADES

We manufacture Shear Blades for all types of Ironworkers and can custom manufacture to your specifications.



Controlled Automation™