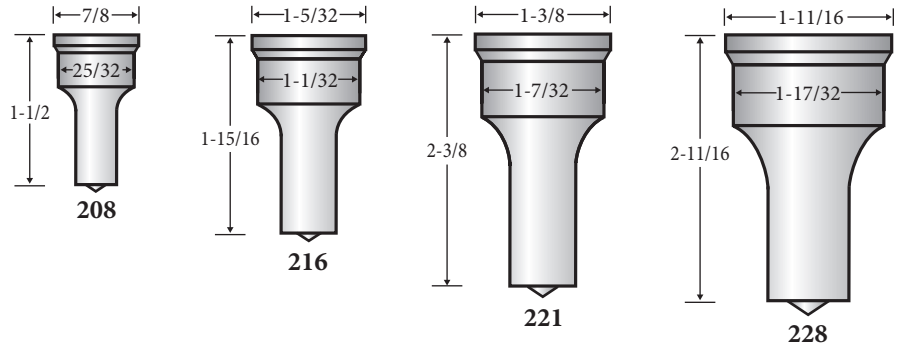


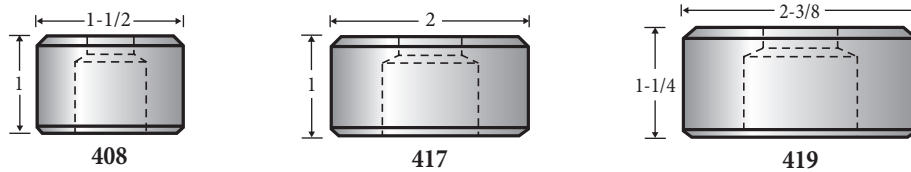
Hendley & Whittemore™ Ironworkers

Model	Punch	Die
51	208	408
52	208	408
53	216	408
54	216	417
55	221	417
55-1/2	228	419

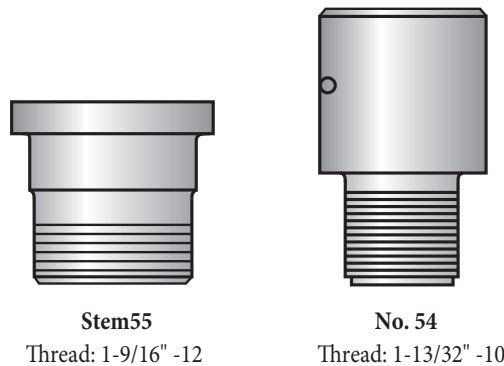
PUNCHES



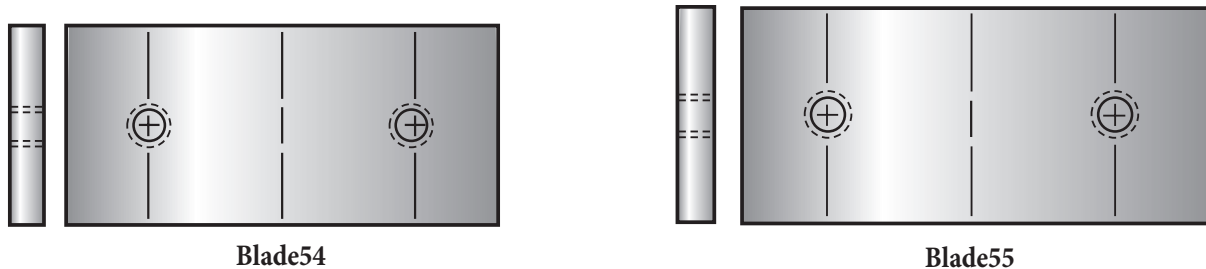
DIES



PUNCH STEMS



SHEAR BLADES



Hendley & Whittemore™