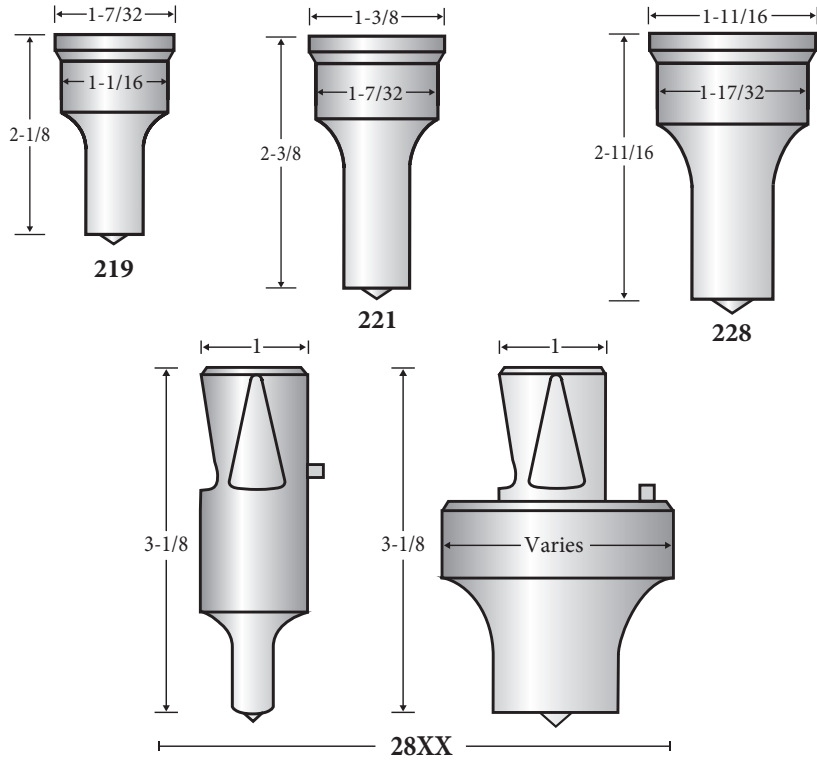


HMI™ (Hydraulic Machines, Inc.™) Ironworkers

Model	Punch	Die
35-19	219	417
35-20	219	417
35DT-19	219	417
35DT-20	219	417
42-20	221	417
50-19	228	419
50-20	228	419
50-25	228	419
50-31	228	419
50DT-19	228	419
50DT-20	228	419
58-20	228	419
70-31	228	419
90-25	228	419
90-31	228	419

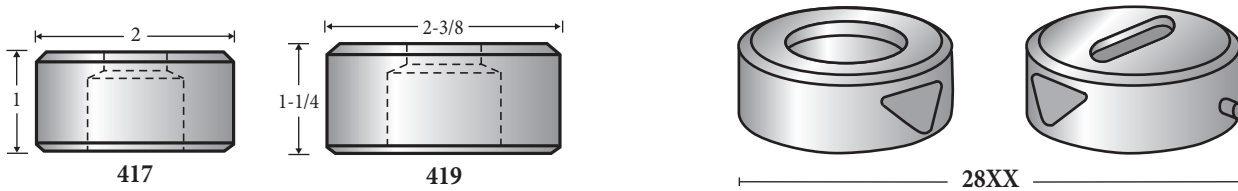
Note: HMI™ (Hydraulic Machines, Inc.™) Ironworkers use 28XX Punches and Dies for Oversize Hole Punching.

PUNCHES



See page 14 for more information on 28XX punches.

DIES



See page 14 for more information on 28XX dies.

SHEAR BLADES

Flat Bar, Angle, Coper or Angle Notcher, Bar Cutter and all other Shear Blades are available.

