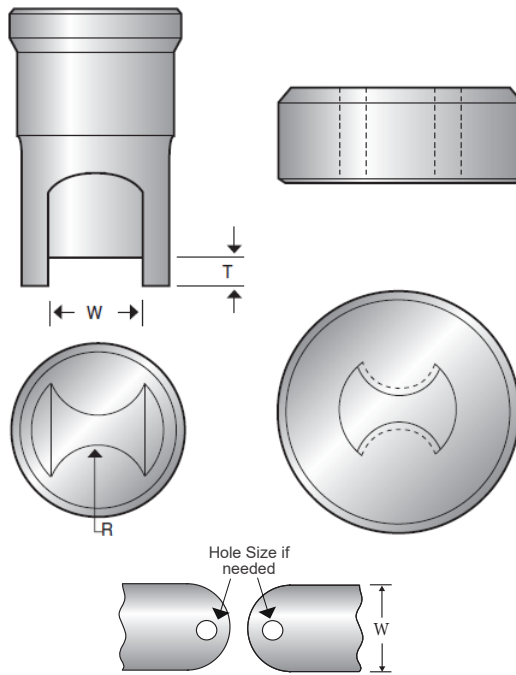
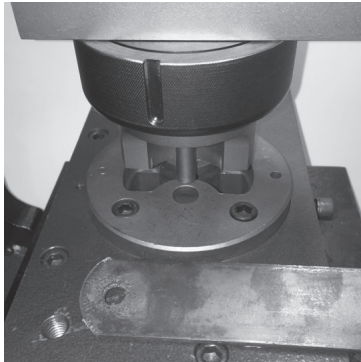




Lattice Bar (Trim and Part) Tooling



Machine Make	Machine Model	Punch Style	W	T	R	Die Style	Hole size

Customer Name	Contact Name	Phone Number or Email