

CLEVELAND STEEL TOOL

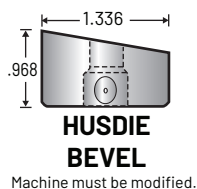
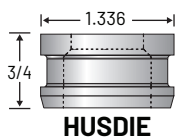
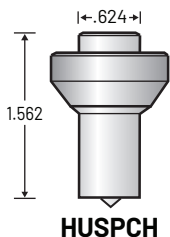
PORTABLE PUNCHING UNIT



Punch up to 13/16" round and 9/16" square holes in 1/2" thick mild steel on the spot.

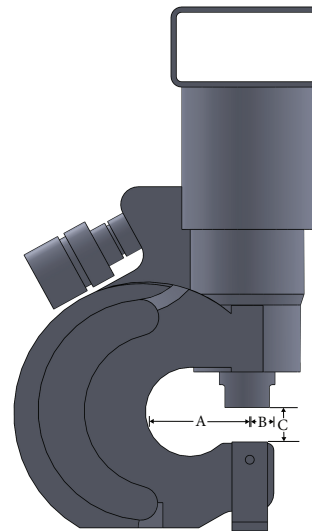
FEATURES

- Operates from any 10,000 psi hydraulic source
- Metal carrying case included for easy portability
- Easily mounts to a workbench for production jobs
- 3/8" female coupler attached for quick disconnect
- One year warranty against manufacturing defects
- Oblong, square, hex and rectangular tools are available in 24 hours.



Our 35-Ton Porta-Punch™ weighs just 31 pounds, is easy to use and punches in seconds. The dual-action stripper holds the material being punched and then strips the material from the punch so you're ready for the next hole in seconds. It is ideal for punching bus bars, tower iron, railing, I-beams and truck frames. Mount to your work bench or take it to the job site.

C-FRAME SPECIFICATIONS



Tonnage	35 Tons
Max Round	13/16" thru 1/2"
Max Square	9/16" thru 1/2"
Weight	31 pounds
Throat Depth (A)	2-3/4"
Gauge Length (B)	15/16"
Open Height (C)	9/16"
Dimensions	14" x 7" x 3-3/4"

NOTE: This unit is rated for .500" max material thickness in the following specifications.

- 1018 Steel
- A36 Mild Steel 65,000 psi tensile strength max

PUMP SPECIFICATIONS

- Motor Size: 3/4 HP, 115 volt, 15 A
- Delivery at 10,000 psi: 19 In. 3/M
- Oil Capacity: 1 Gallon
- Weight: 70 lbs
- Dimensions: 8" x 10-1/2" x 16"
- Plug into any 110 volt outlet
- Includes 10' high pressure hose with couplers
- Attached 3/8" high pressure quick-disconnect coupler



Scan to view our Porta-Punch in action!

800-446-4402

www.clevelandsteeltool.com



CLEVELAND STEEL TOOL

PORTABLE PUNCHING UNIT

PORTA-PUNCH PACKAGES

Porta-Punch Package includes:

Pack1 includes: All below with 10' hose

Pack2 includes: All below with 20' hose

- Hydraulic Punch C-Frame
- Electric Pump with Hand or Foot Control
- Metal Carrying Case for Punch C-Frame
- Unit 4 Stock Punches and Dies

Sizes to choose from:

- 1/4" 5/16" 3/8" 7/16" 1/2" 17/32"
- 9/16" 5/8" 11/16" 3/4" 25/32" 13/16"

PARTS

Part Number

- Punch
- VEP0751-PM-CST
- Hose
- Hose20
- HUPRD
- HUDRD

Description

- Hydraulic Punch C-Frame and Carrying Case
- Electric/Hydraulic Pump with Hand/Foot Control
- 10' Hydraulic Hose
- 20' Hydraulic Hose
- Stock Round Punch
- Stock Round Die*

*Furnished with a standard 1/16 clearance.

800-446-4402

www.clevelandsteeltool.com