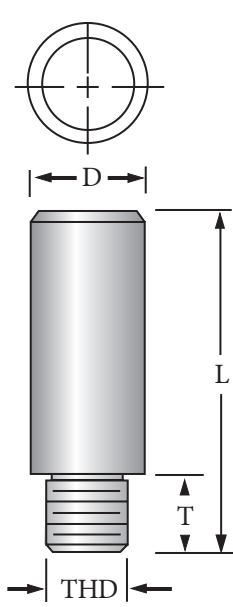
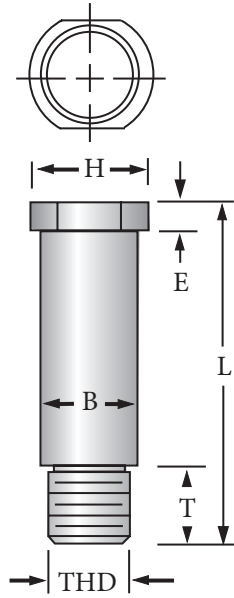


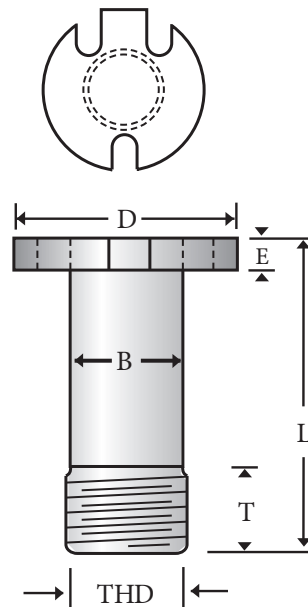
Custom Punch Stem



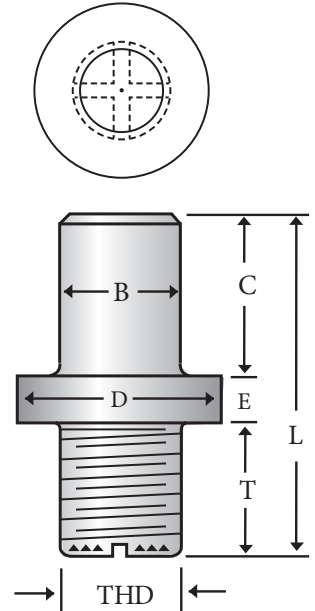
No. 24



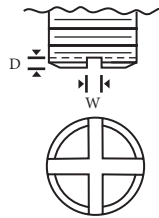
No. 24-B



No. 24-F



No. 24-G



| Keyways | |
|---------|--|
| Width | |
| Depth | |

| Machine Make | Machine Model | Stem Style | D | B | E | H | L | C | T | THD |
|--------------|---------------|------------|---|---|---|---|---|---|---|-----|
| | | | | | | | | | | |

| Customer Name | Contact Name | Phone Number or Email |
|---------------|--------------|-----------------------|
| | | |