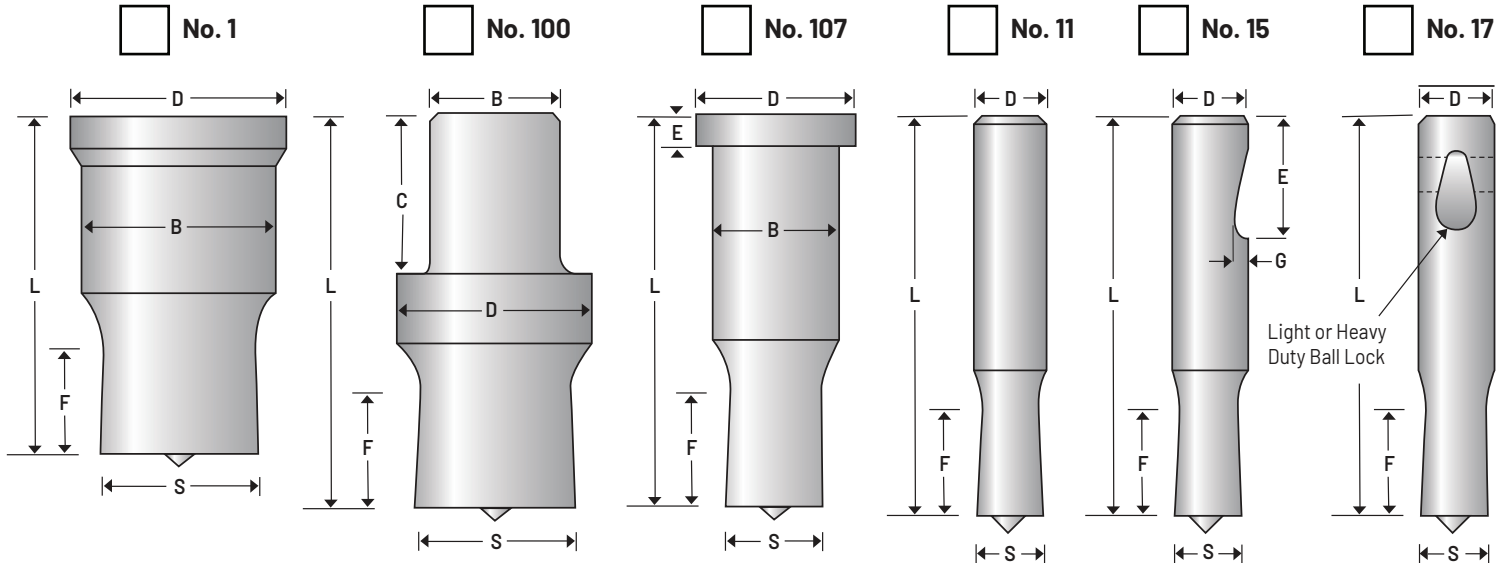


CLEVELAND STEEL TOOL

CUSTOM PUNCH TEMPLATE

Please mark the box for the style of punch and then fill in the applicable dimensions below.



No. 1
 No. 100
 No. 107
 No. 11
 No. 15
 No. 17

B =
 C =
 D =
 E =
 F =
 G =

L =
 Punch Size (S) =
 Special Marking:

Additional Comments

CUSTOMER INFORMATION

Company Name: <input type="text"/>	Machine Make: <input type="text"/>
Contact Name: <input type="text"/>	Machine Model: <input type="text"/>
Phone: <input type="text"/>	Machine Year: <input type="text"/>
Email: <input type="text"/>	

Please email completed form to:
sales@clevelandsteeltool.com

800-446-4402

www.clevelandsteeltool.com